



PARTS CATALOG

Published

2008/7 (Jul.)

0CNP1-G59400

SPECIFICATIONS

Specifications		Models	YK280F
ENGINE	Model		KAWASAKI FA 130D
	Type		Air cooled, 4 cycle, Gasoline
	Bore × Stroke (mm)		62 × 43
	Displacement (cc)		129
	Out put (Max) (ps/rpm)		2.3/3600 (3.1)
	Starter		Recoil Starter
	Air Cleaner		Polyuretane-foam Element
	Fuel Tank Capa. (lit)		2.7
DIMENSION	Overall Length (mm)		1239
	Overall Width (mm)		538
	Overall Height (mm)		852 (from Axle Center)
NET WEIGHT W/O TIRES (kg)			34.0 (except Axle Tiller)
AXLE	Fprward speed at Rated Engine speed (rpm)	1st	37.2
		2nd	60.4
		3rd	61.8
		4th	100.4
		5th	—
		6th	—
		7th	—
		8th	—
	Reverse speed (do) (rpm)	1st	32.5
		2nd	54.0
		3rd	—
		4th	—
	Shifting		
Shape of Axle			Hexagon (face to face 26)
P.T.O	Speed (rpm)		1613 · 2679
	Shape of Shaft		Involute spline
	Shaft Rotation		Clockwise
CLUTCH	Main Clutch		Belt tension
	Side Clutch		No
BRAKE			No
TRANSMISSION OIL CAPACITY (lit)			1.8
ADJUSTING AREA OF HANDLE	Horizontal		Yes
	Vertical		Yes

NOTE: Given Specifications may be altered for improvement, etc. without prior notice.

CONTENTS

MODEL : YK280F((
PC NO : 0CNP1-G59400

Fig.No.	GROUP NAME
	ENGINE UNIT(MODEL FA130D-A2)
1.	CYLINDER HEAD
2.	CAMSHAFT
3.	CRANKSHAFT
4.	GOVERNOR
5.	AIR CLEANER & MUFFLER
6.	MAGNET & RECOIL STARTER

Fig.No.	GROUP NAME
	BODY UNIT
7.	TRANSFER
8.	ENGINE PULLEY
9.	TRANSMISSION
10.	MAIN SHAFT
11.	HANDLE
12.	TRAVELING CONTROL LEVER
13.	BONNET
14.	LABELS
15.	ACCESSORIES

Fig.No. GROUP NAME

Fig.1. CYLINDER HEAD

1. CYLINDER HEAD

OCNP1-G59400 1. CYLINDER HEAD

(A)=FA130D-A2

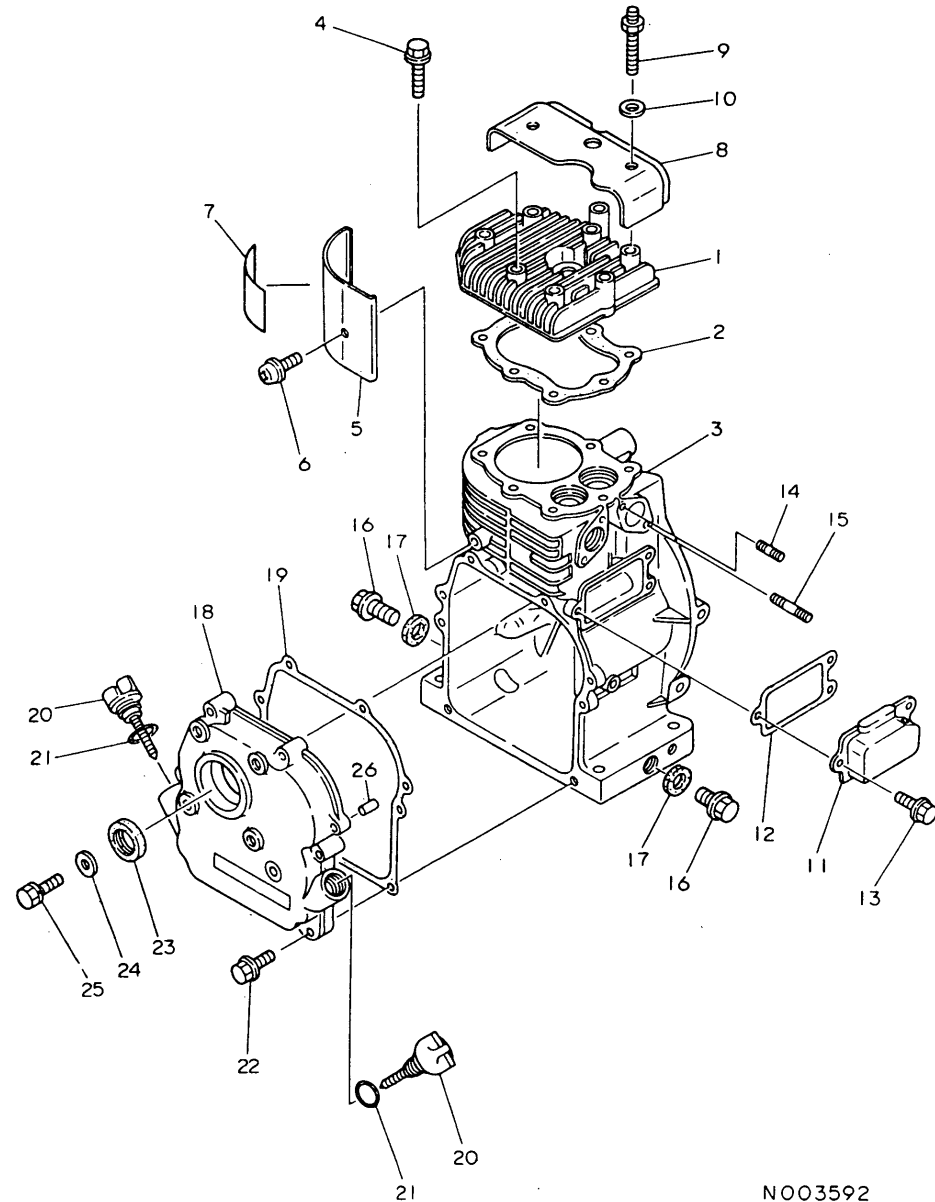
(B)=

(C)=

(D)=

(E)=

(F)=



N003592

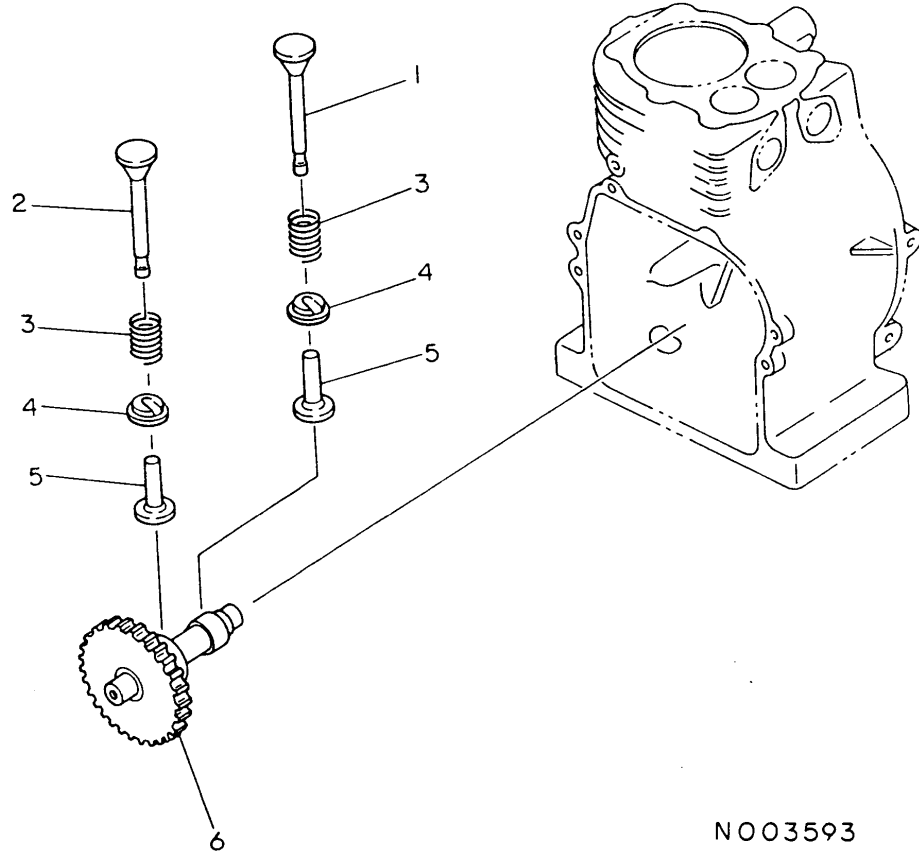
N:Old $\xrightarrow{\text{Yes}}$ New, Q:Old $\xrightarrow{\text{No}}$ New, R:Old $\xrightarrow{\text{Yes}}$ New, S:Old $\xrightarrow{\text{No}}$ New, W:Add, Z:Discontinued, F:Interchangeable by set, K:Q'ty Change

(C)Copy Rights YANMAR CO.,LTD.

REF.	LEV.	PARTS NO.	DESCRIPTION	QTY						I	R
				(A)	(B)	(C)	(D)	(E)	(F)		
1	1	1Z4401-11110	HEAD,CYLINDER	1							
2	1	1Z4401-11211	GASKET,HEAD	1							
3	1	1Z4912-06004	CRANK CASE COMP	1							
4	1	26011-080502	BOLT M 8X50	3							
5	1	1Z4401-16320	COVER,CYLINDER	1							
6	1	26021-050102	SCREW M 5X 10	1							
7	1	1Z4414-08130	LABEL	1							
8	1	1Z4405-16310	COVER,CYL.HEAD	1							
9	1	1Z4405-11810	BOLT	4							
10	1	22117-080000	WASHER 8	4							
11	1	1Z4910-82070	COVER,VALVE CHAMBER	1							
12	1	1Z4401-12320	GASKET	1							
13	1	26011-060122	BOLT M 6X 12	3							
14	1	26216-060252	STUD M 6X 25 PLATED	1							
15	1	26216-060402	STUD M 6X 40 PLATED	1							
16	1	1Z0011-10140	PLUG.DRAIN	2							
17	1	1Z1100-92432	GASKET	2							
18	1	1Z4496-41201	BASE COMPL.,SIDE	1							
19	1	1Z4401-41240	GASKET	1							
20	1	1Z4401-74110	GAUGE,OIL	2							
21	1	24311-000150	O-RING 1A P-15.0	2							
22	1	26011-060282	BOLT M 6X 28	6							
23	1	1Z4250-42310	OIL SEAL	1							
24	1	1Z3252-23830	WASHER	1							
25	1	26013-080252	BOLT M 8X 25	1							
26	1	22312-060120	PARALLEL PIN 6X12	2							

Fig.2. CAMSHAFT

2. CAMSHAFT



N003593

0CNP1-G59400 2. CAMSHAFT

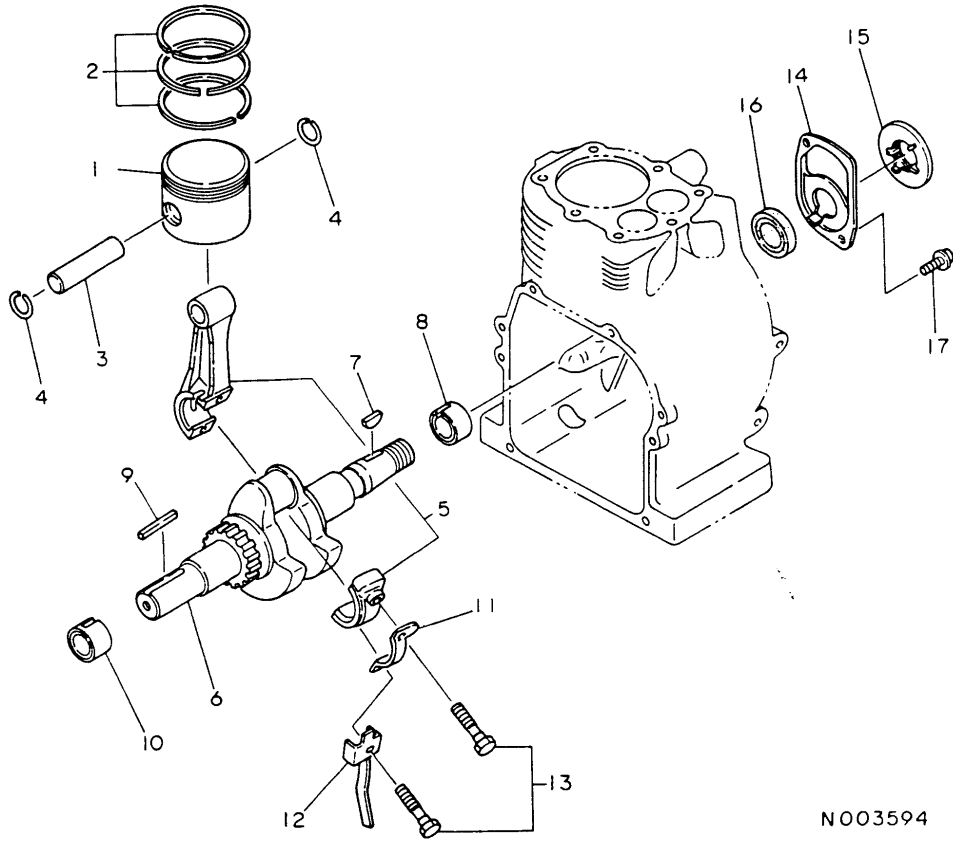
(A)=FA130D-A2
(B)=
(C)=

(D)=
(E)=
(F)=

REF.	LEV.	PARTS NO.	DESCRIPTION	QTY						I	R	
				(A)	(B)	(C)	(D)	(E)	(F)			
1	1	1Z4400-21110	VALVE,INLET	1								
2	1	1Z4401-21120	VALVE,EXHAUST	1								
3	1	1Z4401-21130	SPRING				2					
4	1	1Z4401-21160	SEAT,VALVE				2					
5	1	1Z4401-22110	TAPPET				2					
6	1	1Z4401-23112	GEAR,CAM				1					

Fig.3. CRANKSHAFT

3. CRANKSHAFT



0CNP1-G59400 3. CRANKSHAFT

(A)=FA130D-A2
(B)=
(C)=

(D)=
(E)=
(F)=

REF.	LEV.	PARTS NO.	DESCRIPTION	QTY						I	R
				(A)	(B)	(C)	(D)	(E)	(F)		
1	1	1Z4401-31110	PISTON	1							
2	1	1Z4401-30100	PISTON RING SET	1							
3	1	1Z4401-31210	PIN,PISTON	1							
4	1	1Z4401-31220	SNAP RING	2							
5	1	1Z4401-32400	CONNECTING ROD COMP.	1							
6	2	1Z4401-32450	BOLT,CONNECTING ROD	2							
7	1	1Z4405-32111	CRANKSHAFT COMPL.	1							
8	1	1Z3650-23710	KEY	1							
9	1	1Z4401-42110	BEARING	1							
10	1	1Z4405-32721	KEY	1							
11	1	1Z4401-42110	BEARING	1							
12	1	1Z4401-32480	LOCK WASHER	1							
13	1	1Z4401-32490	SPLASHER	1							
14	1	1Z4401-81720	COVER	1							
15	1	1Z4401-84140	RING	1							
16	1	1Z4250-42310	OIL SEAL	1							
17	1	26021-040082	SCREW M 4X 8	2							

Fig.4. GOVERNOR

4. GOVERNOR

(A)=FA130D-A2

(B)=

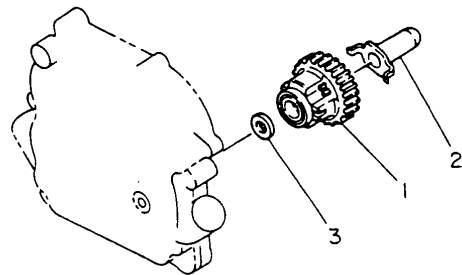
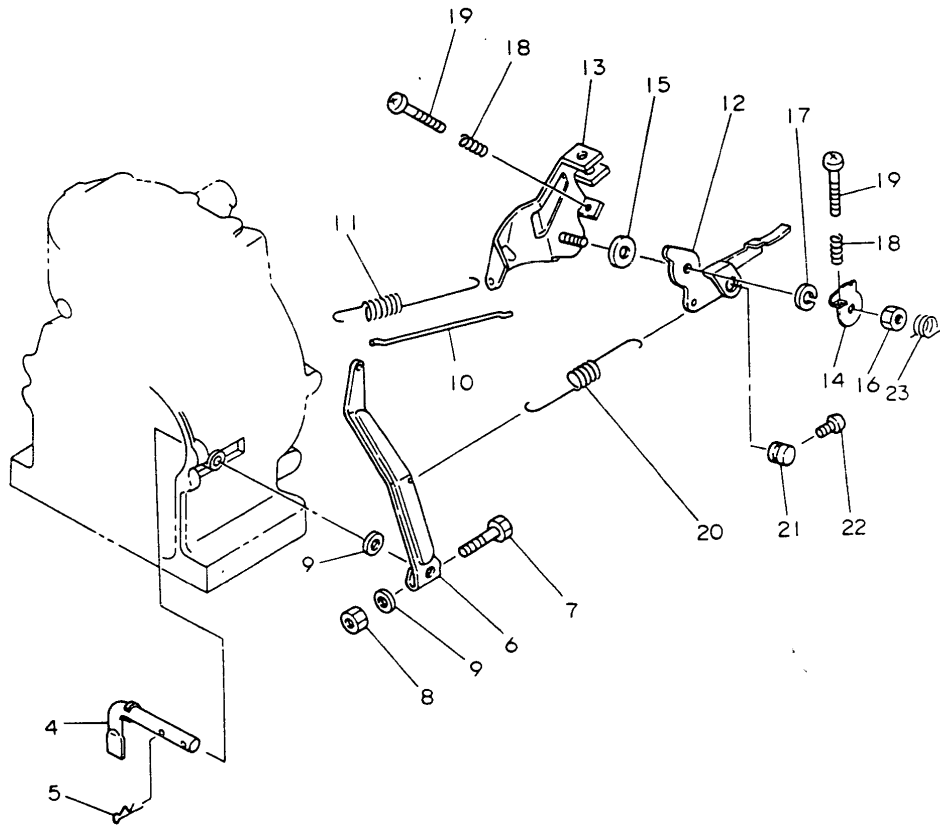
(C)=

(D)=

(E)=

(F)=

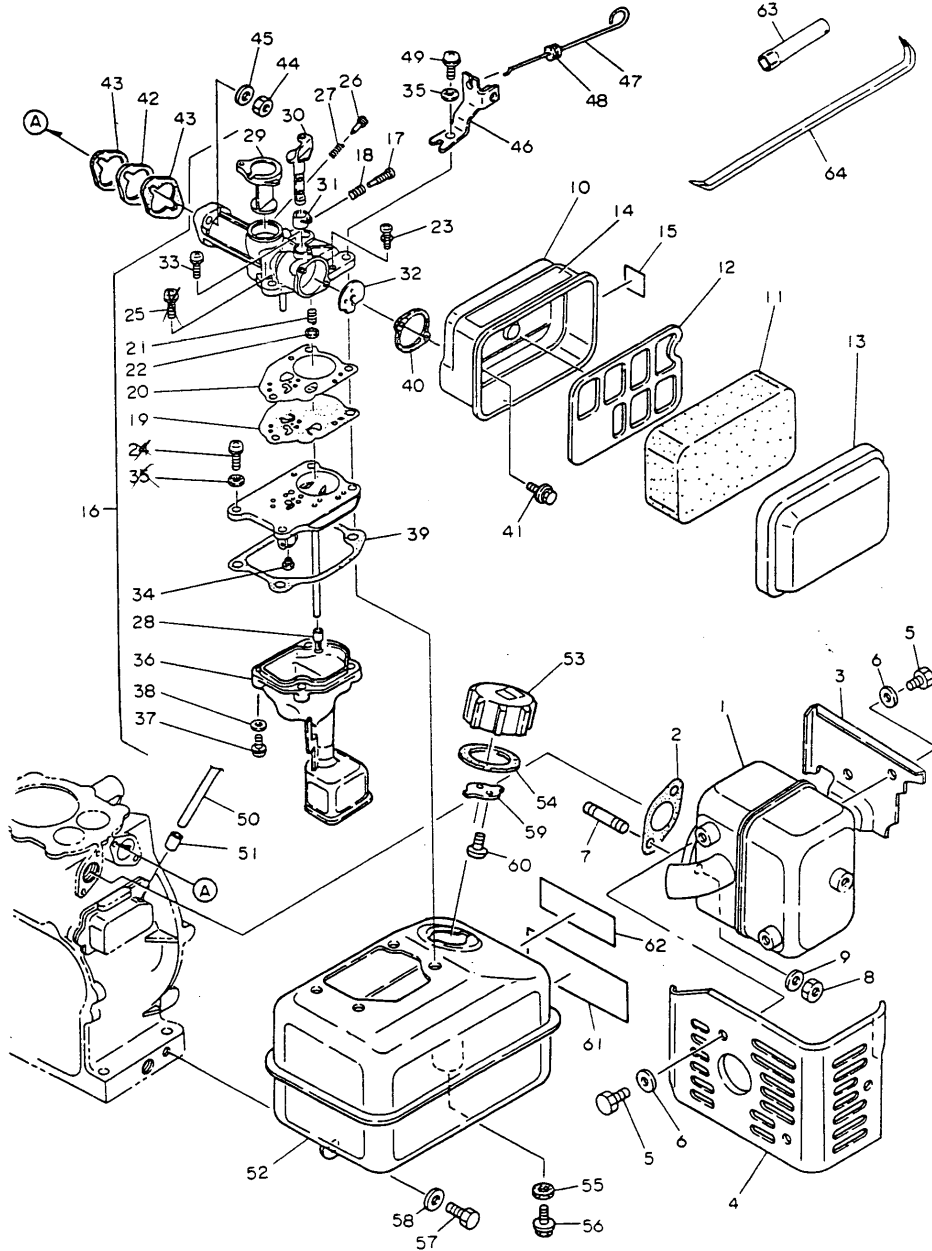
REF.	LEV.	PARTS NO.	DESCRIPTION	QTY						I	R
				(A)	(B)	(C)	(D)	(E)	(F)		
1	1	1Z4401-51100	GOVERNOR COMPL.	1							
2	1	1Z4401-51211	SLEEVE,GOVERNOR	1							
3	1	1Z4401-51350	WASHER	1							
4	1	1Z4401-51221	ARM,GOVERNOR SHAFT	1							
5	1	22360-060000	SNAP PIN 6	1							
6	1	1Z4401-52110	ARM, GOVERNOR	1							
7	1	1Z0011-06250	BOLT(6X25)	1							
8	1	21717-060002	NUT	1							
9	1	22137-060000	WASHER 6, POLISHED	1							
10	1	1Z4401-52310	LINK GOVERNOR	1							
11	1	1Z3650-52320	SPRING LINK	1							
12	1	1Z4401-53111	LEVER,CONTROL	1							
13	1	1Z4401-53350	BRACKET	1							
14	1	1Z4401-53372	BRACKET	1							
15	1	1Z4401-53830	WASHER	1							
16	1	1Z4401-53850	NUT	1							
17	1	1Z4401-53880	SPRING WASHER	1							
18	1	1Z4401-53210	SPRING	2							
19	1	26557-040202	SCREW M 4X 20	1							
20	1	1Z4401-53140	SPRING	1							
21	1	1Z9201-52120	NUT	1							
22	1	26557-040082	SCREW M 4X 8	1							
23	1	1Z4406-53170	SPRING	1							
24	1	22117-060000	WASHER 6	1							
25	1	26557-040252	SCREW M 4X 25	1							



N003595

Fig.5. AIR CLEANER & MUFFLER

5. AIR CLEANER & MUFFLER



N003596

OCNP1-G59400 5. AIR CLEANER & MUFFLER

(A)=FA130D-A2

(B)=

(C)=

(D)=

(E)=

(F)=

REF.	LEV.	PARTS NO.	DESCRIPTION	QTY						I	R
				(A)	(B)	(C)	(D)	(E)	(F)		
1	1	1Z4437-14100	MUFFLER ASSY	1							
2	1	1Z4496-14421	GASKET	1							
3	1	1Z4437-14320	COVER,MUFFLER	1							
4	1	1Z4437-14310	COVER,MUFFLER	1							
5	1	26116-060082	BOLT 6X8	5							
6	1	22137-060000	WASHER 6, POLISHED	5							
7	1	26216-060162	STUD M 6X 16 PLATED	2							
8	1	26717-060002	NUT M 6	2							
9	1	22117-060000	WASHER 6	2							
10	1	1Z4413-13111	CASE AIRCLEANER	1							
11	1	1Z4401-13120	ELEMENT	1							
12	1	1Z4401-13130	PLATE AIRCLEANER	1							
13	1	1Z4401-13210	COVER AIRCLEANER	1							
14	1	1Z4414-08270	LABEL	1							
15	1	1Z4414-08260	LABEL	1							
16	1	1Z4401-61003	CARBURETOR ASSY	1							
17	2	1Z4401-61140	SCREW SLOW STOP	1							
18	2	1Z4401-61160	SPRING	1							
19	2	1Z5501-61600	DIAPHRGM	1							
20	2	1Z5501-61710	GASKET	1							
21	2	1Z4401-61640	SPRING	1							
22	2	1Z4401-61670	CAP SPRING	1							
23	2	26557-040142	SCREW M 4X 14	2							
24	2	1Z4401-61150	SCREW ADJUST	1							
25	2	1Z1509-61170	SPRING	1							
26	2	1Z2801-61680	STRAINER	1							
27	2	1Z5501-61391	SHAFT,THROTTLE	1							
28	2	1Z4401-61420	SHAFT,CHOKE	1							
29	2	1Z4401-61440	COLLAR	1							
30	2	1Z4401-61020	VALE,CHOKE	1							
31	2	1Z4419-61740	GASKET	3							
32	2	26557-040282	SCREW M 4X 28	1							
33	2	1Z2356-61321	JET,MAIN (#70)	1							
34	2	1Z4401-61700	LOWER BODY ASSY	1							
35	1	1Z4401-61310	GASKET	1							
36	1	1Z4401-13320	GASKET	1							
37	1	1Z4413-13160	BOLT	3							
38	1	1Z4401-61810	INSULATOR	1							
39	1	1Z4401-61840	GASKET	2							
40	1	26716-060002	NUT 6	2							
41	1	22137-060000	WASHER 6, POLISHED	2							
42	1	1Z4413-13510	STAY	1							
43	1	1Z4405-55130	LINK	1							
44	1	1Z7196-55150	GROMMET	1							
45	1	26021-060252	SCREW M 6X 25	3							
46	1	1Z0070-71000	TUBE 143L	1							
47	1	1Z4401-13410	PIPE	1							
48	1	1Z4440-66100	FUEL TANK ASSY	1							
49	2	1Z5515-66400	CAP,TANK	1							
50	3	1Z4401-66434	GASKET	1							
51	3	1Z4401-66440	SPRING	1							

N:Old $\begin{matrix} \leftarrow \text{Yes} \\ \text{No} \end{matrix}$ New, Q:Old $\begin{matrix} \leftarrow \text{No} \\ \text{Yes} \end{matrix}$ New, R:Old $\begin{matrix} \leftarrow \text{Yes} \\ \text{No} \end{matrix}$ New, S:Old $\begin{matrix} \leftarrow \text{No} \\ \text{Yes} \end{matrix}$ New, W:Add, Z:Discontinued, F:Interchangeable by set, K:Q'ty Change

++ CONTINUE ++

(C)Copy Rights YANMAR CO.,LTD.

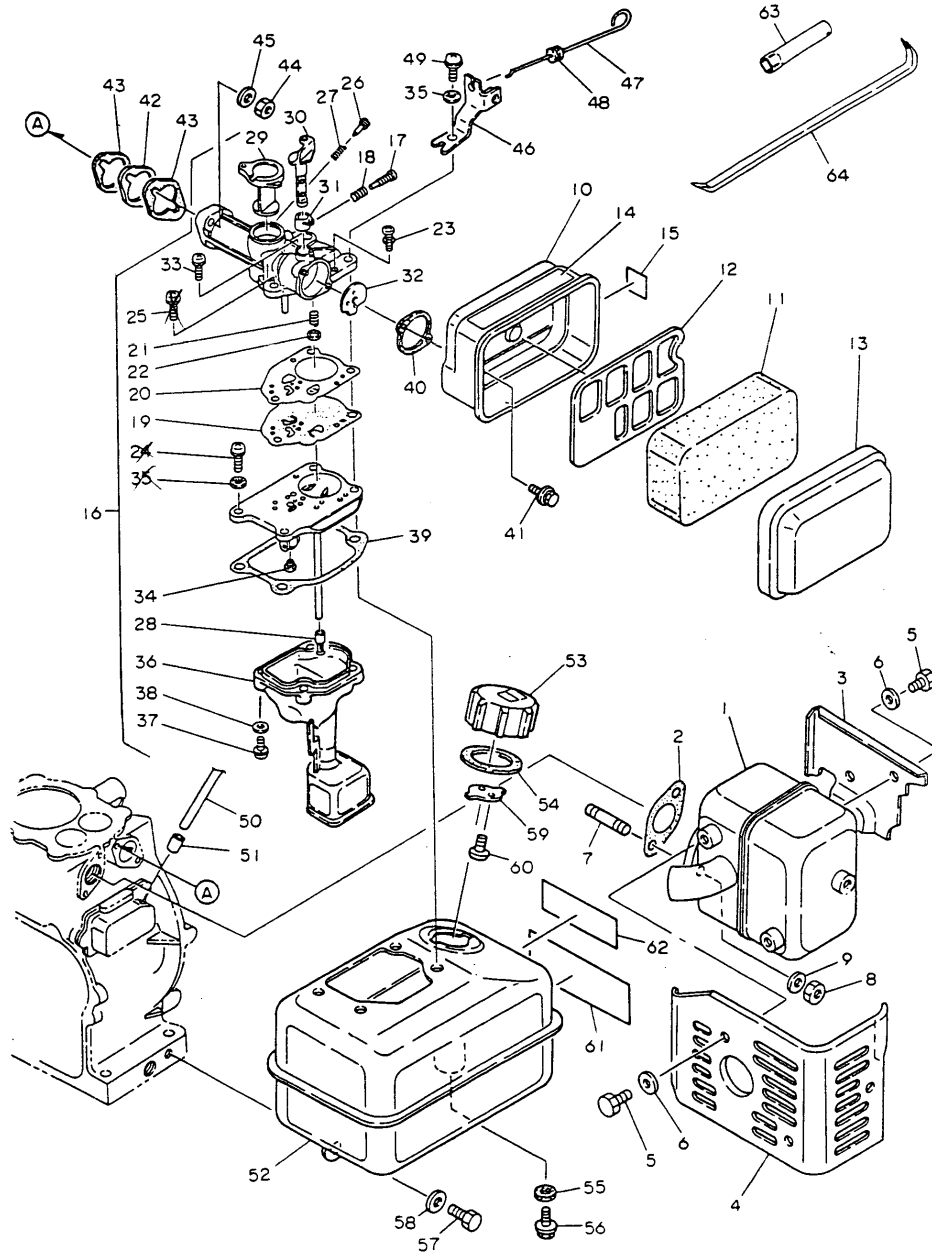
Fig.5. AIR CLEANER & MUFFLER

5. AIR CLEANER & MUFFLER

OCNP1-G59400 5. AIR CLEANER & MUFFLER

(A)=FA130D-A2
(B)=
(C)=

(D)=
(E)=
(F)=



REF.	LEV.	PARTS NO.	DESCRIPTION	QTY						I	R
				(A)	(B)	(C)	(D)	(E)	(F)		
52	3	1Z4401-67320	SCREW	2							
53	2	1Z8290-74470	GASKET	1							
54	2	1Z4412-65250	BOLT	1							
55	1	1Z0011-08160	BOLT 8X16	1							
56	1	1Z4401-66810	WASHER	1							
57	1	1Z5479-08220	LABEL	1							
58	1	1Z5479-08510	LABEL	1							
59	1	1Z4406-09310	WRENCH, SOCKET	1							
60	1	1Z5120-09450	BAR	1							

N 003596

Fig.6. MAGNET & RECOIL STARTER

(A)=FA130D-A2

(B)=

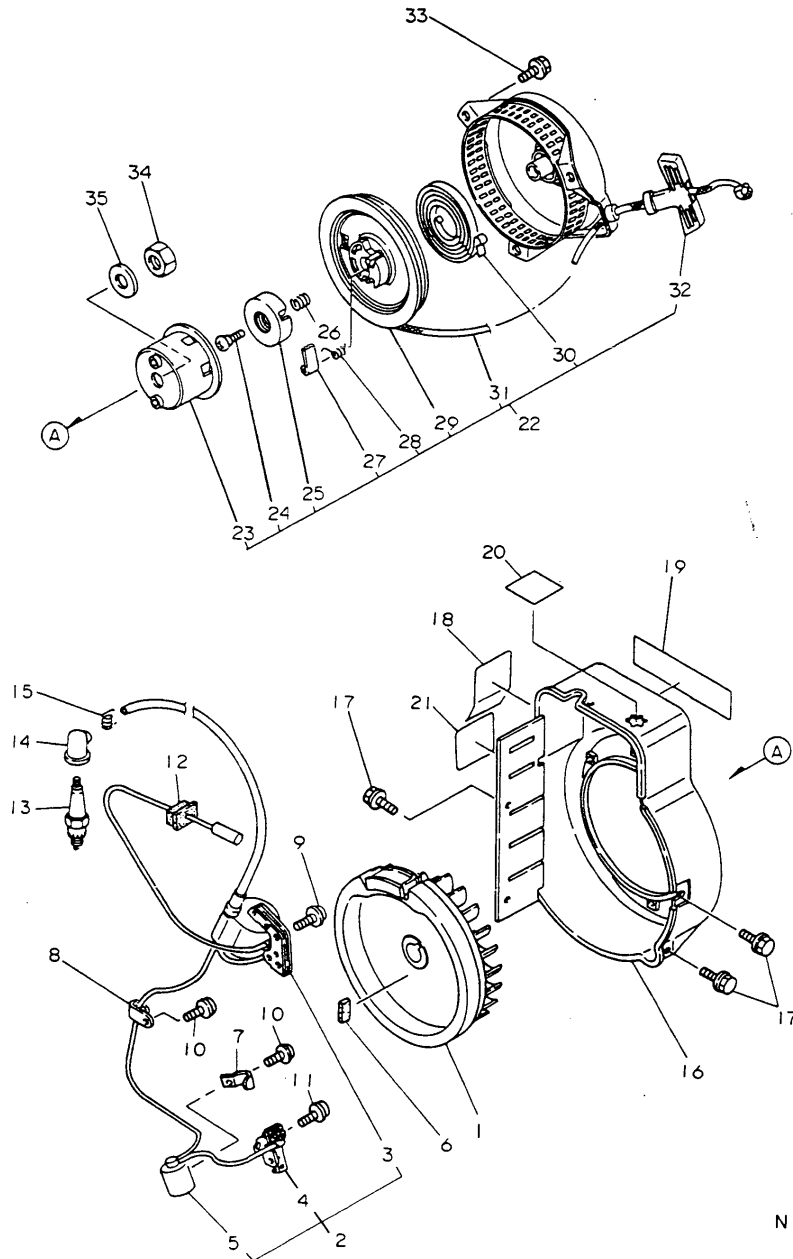
(C)=

(D)=

(E)=

(F)=

6. MAGNET & RECOIL STARTER

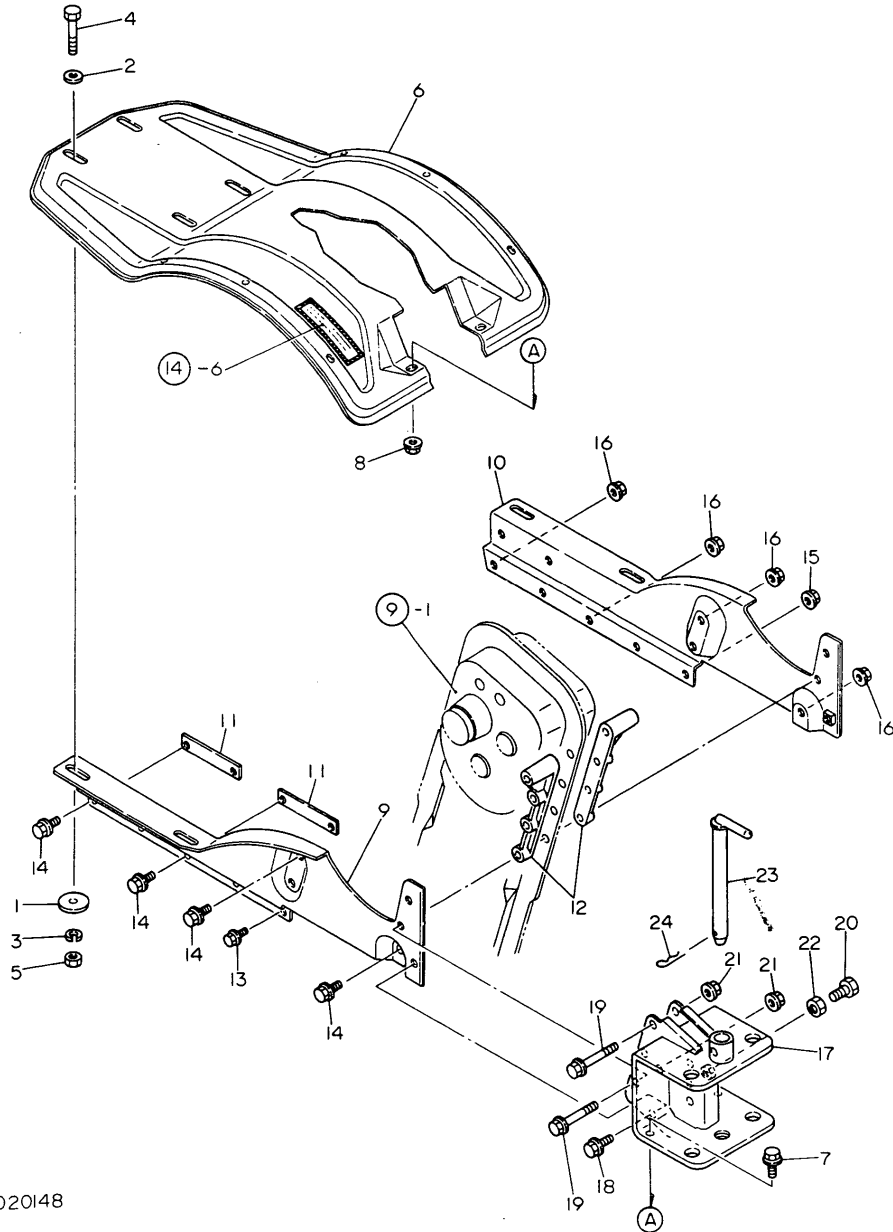


REF.	LEV.	PARTS NO.	DESCRIPTION	QTY						I	R
				(A)	(B)	(C)	(D)	(E)	(F)		
1	1	1Z4401-81110	FLYWHEEL	1							
2	1	1Z2117-12117	COLL IGNITION	1							
3	1	1Z2100-82105	BREAKER ASSY	1							
4	2	1Z5501-84400	BREAKER,CONTACT	1							
5	2	1Z4401-84360	CONDENCER	1							
6	1	1Z4401-81420	BRUSH	1							
7	1	1Z4401-81290	CLAP	1							
8	1	1Z4401-81610	CLAMP	1							
9	1	26021-050202	SCREW M 5X 20	2							
10	1	26021-040082	SCREW M 4X 8	2							
11	1	26021-040102	SCREW M 4X 10	1							
12	1	1Z4401-81641	GROMMET	1							
13	1	1Z4401-84100	PLUG SPARK	1							
14	1	1Z7270-84181	CAP,PLUG	1							
15	1	1Z7270-84190	SPRING	1							
16	1	1Z4405-16112	CASE, SPIRAL	1							
17	1	26011-060102	BOLT M 6X 10	5							
18	1	1Z4594-08141	LABEL	1							
19	1	1Z5446-08110	LABEL MARK	1							
20	1	1Z4496-16270	PLATE	1							
21	1	1Z543H-08170	LABEL	1							
22	1	1Z4401-34300	RECOIL STARTER ASSY	1							
23	2	1Z4401-34320	PULLEY	1							
24	2	1Z4401-34470	SCREW	1							
25	2	1Z4401-34490	RETAINER	1							
26	2	1Z4401-34460	SPRING	1							
27	2	1Z4401-34450	PAWL	1							
28	2	1Z4401-34440	SPRING	1							
29	2	1Z4401-34410	REEL	1							
30	2	1Z4401-34520	SPRING,RECOIL	1							
31	2	1Z4412-34530	ROPE	1							
32	2	1Z4401-34600	HANDLE	1							
33	1	26011-060102	BOLT M 6X 10	3							
34	1	26736-140002	NUT M14	1							
35	1	1Z4401-34820	WASHER	1							

N003597

Fig.7. TRANSFER

7. TRANSFER



N020148

(A)=YK280F

(B)=

(C)=

(D)=

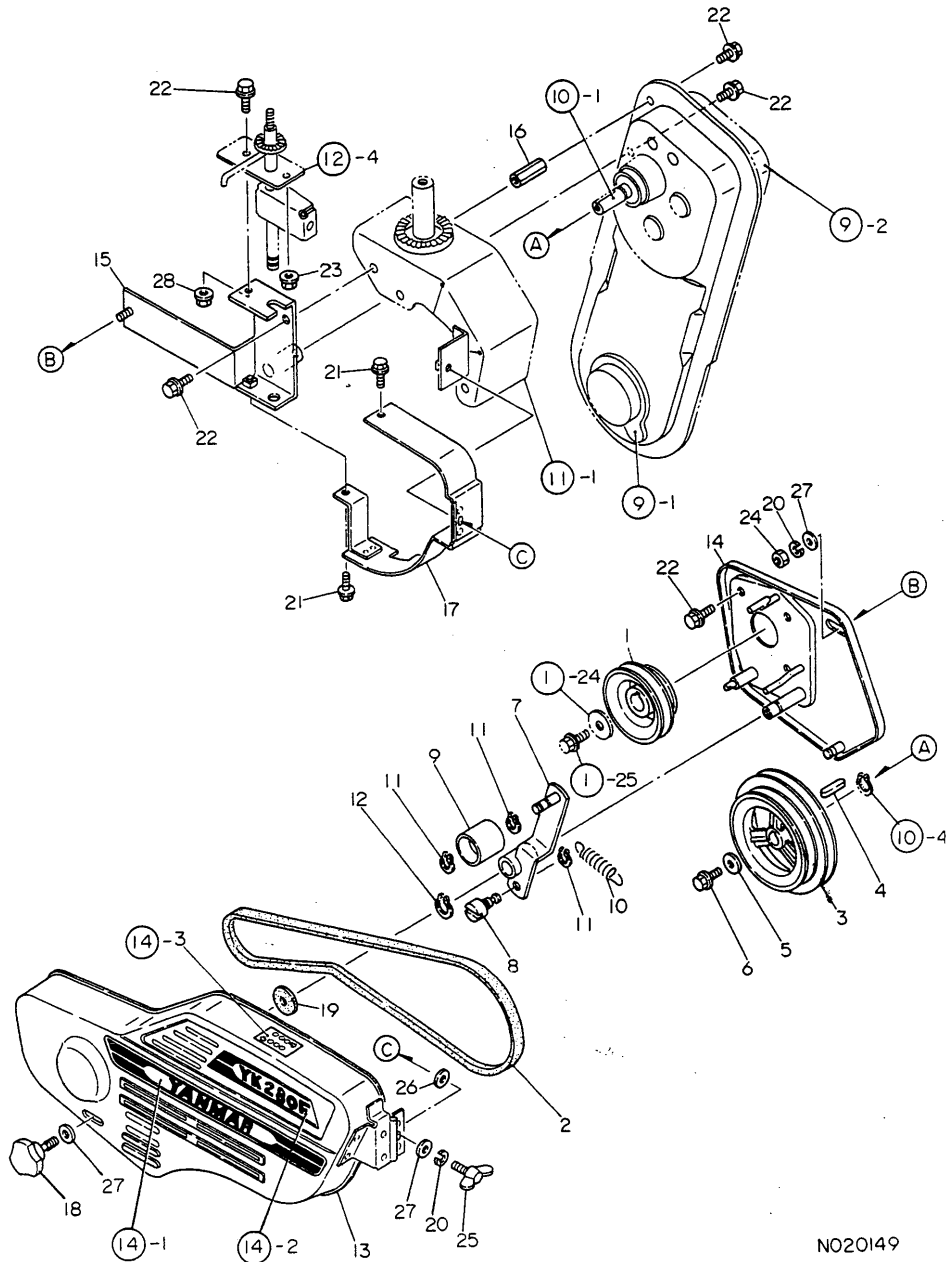
(E)=

(F)=

REF.	LEV.	PARTS NO.	DESCRIPTION	QTY						I	R
				(A)	(B)	(C)	(D)	(E)	(F)		
1	1	1D1140-11420	WASHER,PULLEY	4							
2	1	22137-080000	WASHER 8, POLISHED	4							
3	1	22217-080000	SPRING WASHER 8	4							
4	1	26117-080402	BOLT 8X40	4							
I 4-1	1	26117-080402	BOLT 8X40	2							K
(A=F410001)											
5	1	26717-080002	NUT 8	4							
6	1	1A1402-60500	FENDER	1							
I 7	1	26107-060122	BOLT M 6X 12 PLATED	2							
I 8	1	26367-060002	U-NUT M 6	2							
9	1	1A1402-60000	FRAME L COMP,ENGINE	1							
10	1	1A1402-60010	FRAME R COMP,ENGINE	1							
11	1	1A1402-60050	BOARD 4.5X16X90,FLAT	2							
12	1	1A1402-60360	COLLAR,FOUR-THROW	2							
13	1	26107-060162	BOLT M 6X 16 PLATED	1							
14	1	26107-080162	BOLT M 8X 16 PLATED	7							
15	1	26367-060002	U-NUT M 6	1							
16	1	26367-080002	U-NUT M 8	7							
I 17-1	1	1A1402-60301	HITCH COMPL.	1							N
(A=F510001)											
18	1	26107-080162	BOLT M 8X 16 PLATED	2							
19	1	26107-080502	BOLT M 8X 50 PLATED	3							
I 20-2	1	26117-100602	BOLT M10X 60 PLATED	1							N
(A=F510001)											
21	1	26367-080002	U-NUT M 8	3							
22	1	26731-100002	NUT M10	1							
I 22-1	1	26717-100002	NUT M10	1							S
(A=F410001)											
I 22-2	1	1A1402-60400	NUT 10X40	1							N
(A=F510001)											
23	1	1A1402-60450	PIN COMPL.,HITCH	1							
24	1	22360-160000	SNAP PIN 16	1							
I 25	1	26117-080452	BOLT 8X45	2							W
(A=F410001)											

Fig.8. ENGINE PULLEY

8. ENGINE PULLEY



NO20I49

OCNP1-G59400 8. ENGINE PULLEY

(A)=YK280F

(B)=

(C)=

(D)=

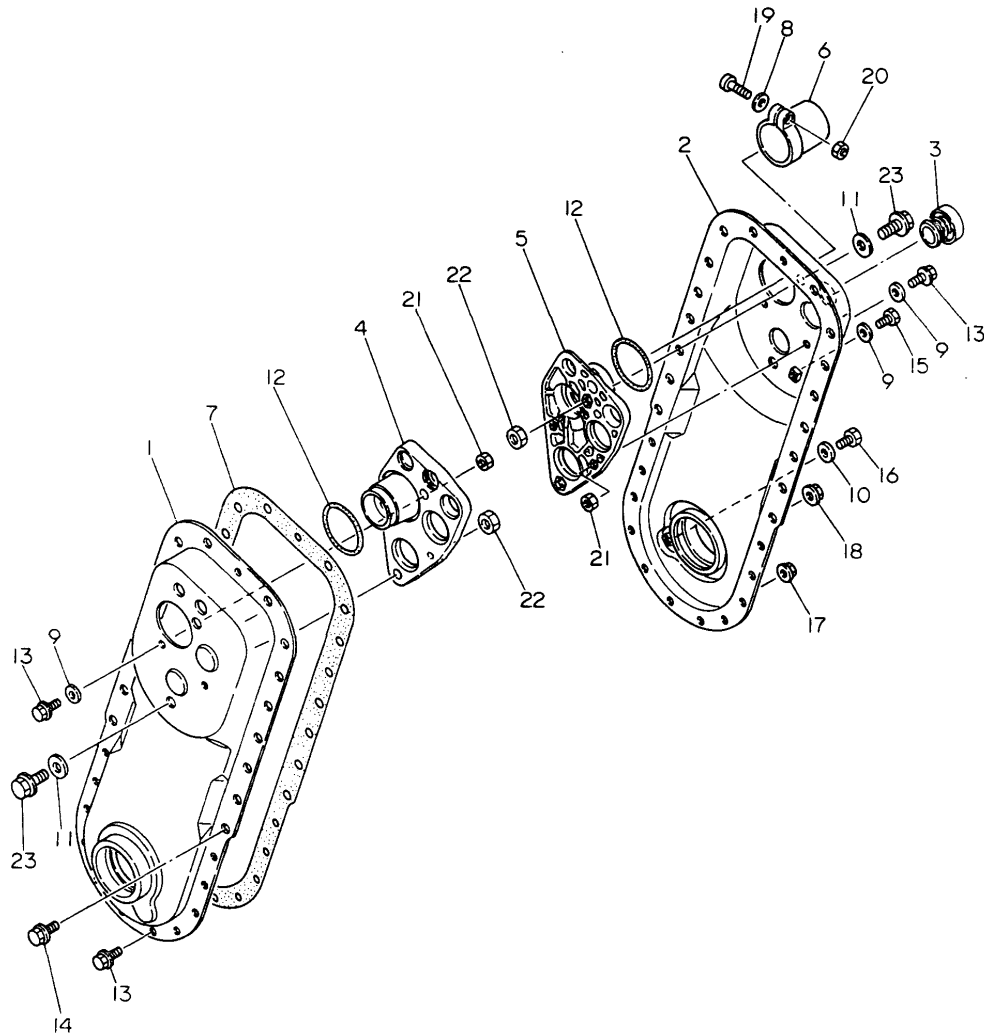
(E)=

(F)=

REF.	LEV.	PARTS NO.	DESCRIPTION	Q'TY						I	R
				(A)	(B)	(C)	(D)	(E)	(F)		
1	1	1A1640-62401	V-PULLEY 82.5A-60A	1							
2	1	25122-003801	V-BELT A 38H	1							
3	1	1A1540-11000	PULLEY,MAIN SHAFT	1							
4	1	1A1400-16800	KEY 4X4X30,FEATHER	1							
5	1	1C6020-73090	WASHER 7X19X1.6	1							
6	1	26107-060202	BOLT M 6X 20 PLATED	1							
7	1	1A1402-10100	ARM COMPL.,TENSION	1							
8	1	1A1402-10120	PIN,WIRE BRACKET	1							
9	1	1A1540-14000	ROLLER COMP,TENSION	1							
10	1	1A1400-16000	SPRING 17.2X59	1							
11	1	22242-000100	CIRCLIP 10	3							
I 11-1	1	22242-000100	CIRCLIP 10	2							K
(A=F410001)											
12	1	22242-000140	CIRCLIP 14	1							
13	1	1A1402-10600	COVER COMPL.,BELT	1							
14	1	1A1402-10650	GUARD COMPL.,PULLEY	1							
I 15-1	1	1A1402-10751	REINFORCEMENT,TENS'N	1							N
(A=F510001)											
16	1	1A1402-10790	NUT 8X38	1							
17	1	1A1402-50210	COVER B COMP,CHANGE	1							
I 18	1	1A1108-66400	BOLT,KNOB 8X15	1							Z
(A=F410001)											
I 19	1	1A1108-66410	PACKING	1							Z
(A=F410001)											
20	1	22217-080000	SPRING WASHER 8	2							
I 20-1	1	22217-080000	SPRING WASHER 8	3							K
(A=F410001)											
21	1	26107-060122	BOLT M 6X 12 PLATED	2							
22	1	26107-080162	BOLT M 8X 16 PLATED	7							
I 23	1	26367-060002	U-NUT M 6	1							Z
(A=F510001)											
24	1	26717-080002	NUT 8	1							
25	1	1A1105-66401	BOLT 8X20,WING	1							
I 25-1	1	1A1105-66401	BOLT 8X20,WING	2							K
(A=F410001)											
26	1	1A1105-63201	LOCK PLATE,WING BOLT	1							
I 26-1	1	1A1105-63201	LOCK PLATE,WING BOLT	2							K
(A=F410001)											
27	1	22137-080000	WASHER 8, POLISHED	3							
I 28	1	26367-080002	U-NUT M 8	1							Z
(A=F510001)											
I 29	1	22137-100000	WASHER 10,POLISHED	1							W
(A=F410001)											
I 30	1	22360-100000	SNAP PIN 10	1							W
(A=F410001)											
I 31	1	1D1140-11420	WASHER,PULLEY	1							W
(A=F410001)											

Fig.9. TRANSMISSION

9. TRANSMISSION



N020150

0CNP1-G59400 9. TRANSMISSION

(A)=YK280F

(B)=

(C)=

(D)=

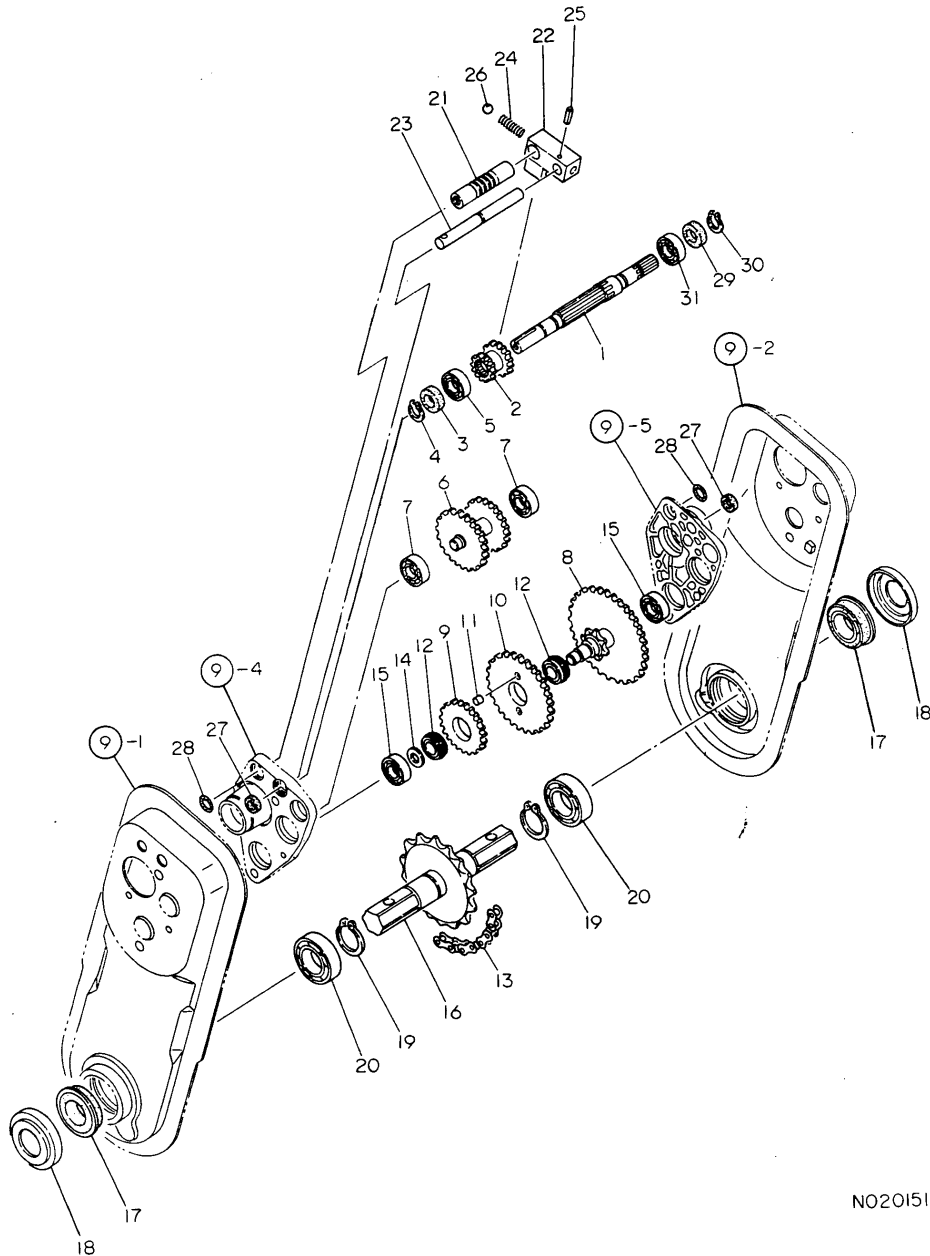
(E)=

(F)=

REF.	LEV.	PARTS NO.	DESCRIPTION	QTY						I	R	
				(A)	(B)	(C)	(D)	(E)	(F)			
1	1	1A1402-20000	CASE L COMP.,TRANSM.	1								
2	1	1A1402-20010	CASE R COMP.,TRANSM.	1								
3	1	1A1470-20090	CAP 35,OIL FILLER	1								
4	1	1A1402-20100	HOLDER L,BEARING	1								
5	1	1A1402-20110	HOLDER R,BEARING	1								
6	1	1A1105-21300	CASE,SHAFT	1								
7	1	1A1400-28000	PACKING HOUSING	1								
8	1	22137-050000	WASHER 5, POLISHED	1								
9	1	23414-060000	GASKET 6, ROUND	5								
10	1	23414-080000	GASKET 8, ROUND	1								
11	1	23414-100000	GASKET 10, ROUND	4								
I	12-1	1	194310-24980	O-RING 2045	2							R
(A=F411133)												
13	1	26107-060122	BOLT M 6X 12 PLATED	15								
14	1	26107-080122	BOLT M 8X 12 PLATED	7								
15	1	26117-060122	BOLT M 6X 12 PLATED	1								
16	1	26117-080122	BOLT M 8X 12 PLATED	1								
17	1	26367-060002	U-NUT M 6	11								
18	1	26367-080002	U-NUT M 8	7								
19	1	26557-050252	SCREW M 5X 25	1								
20	1	26717-050002	NUT M 5	1								
21	1	26717-060002	NUT M 6	4								
22	1	26772-100002	LOCK NUT M10	4								
I	23-1	1	1A1402-20150	BOLT 10X13	4							N
(A=F410001)												

Fig.10. MAIN SHAFT

10. MAIN SHAFT



NO20151

OCNP1-G59400 10. MAIN SHAFT

(A)=YK280F

(B)=

(C)=

(D)=

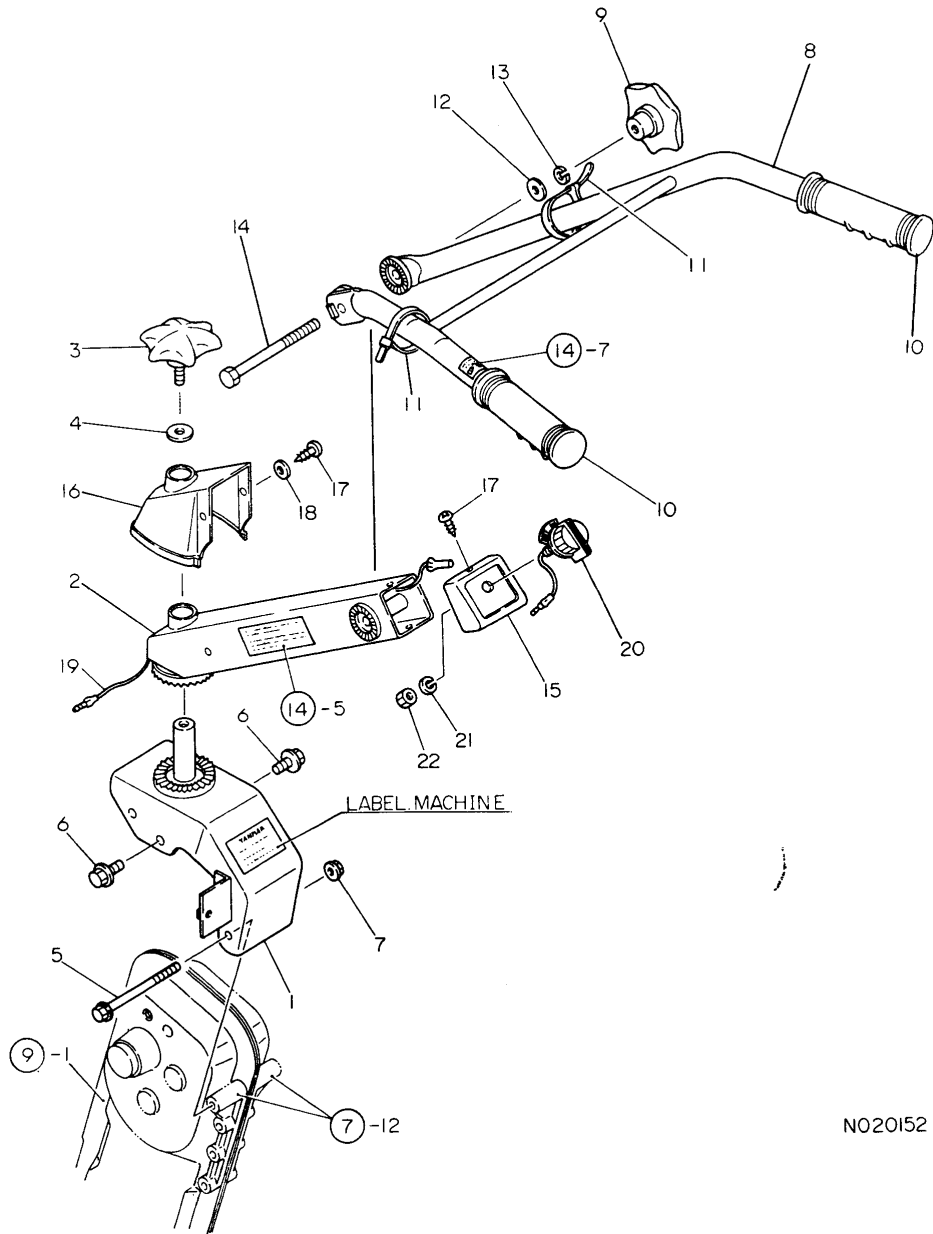
(E)=

(F)=

REF.	LEV.	PARTS NO.	DESCRIPTION	Q'TY						I	R
				(A)	(B)	(C)	(D)	(E)	(F)		
1	1	1A1402-20200	SHAFT,MAIN	1							
2	1	1A1402-20210	GEAR 13-18	1							
3	1	1A1400-28140	OIL SEAL TC14287	1							
4	1	22242-000140	CIRCLIP 14	1							
I 5-1	1	24104-060024	BALL BEARING 6002UU	1							N
(A=F410001)											
6	1	1A1402-20300	SHAFT COMPL.,COUNTER	1							
7	1	24101-062014	BALL BEARING	2							
8	1	1A1402-20400	SHAFT COMPL.,FINAL	1							
9	1	1A1402-20430	GEAR 29	1							
10	1	1A1402-20440	GEAR 46	1							
11	1	1A1402-20450	PIN 8X6	2							
12	1	1A1402-20460	BEARING 6902NR	2							
I 13-1	1	1A1402-20481	CHAIN 12.7X48	1							R
(A=F41XXXX)											
14	1	22117-120000	WASHER 12	1							
15	1	24101-062014	BALL BEARING	2							
I 16-1	1	1A1402-20501	WHEEL SHAFT	1							N
(A=F510029)											
17	1	1A1470-20530	OIL SEAL 305212	2							
18	1	1A1310-21200	COVER,AXLE BOSS	2							
19	1	22242-000300	CIRCLIP 30	2							
I 19-1	1	22242-000300	CIRCLIP 30	1							K
(A=F510029)											
20	1	24101-060064	BALL BEARING	2							
21	1	1A1402-20800	SHAFT,FORK	1							
I 22-1	1	1A1402-20851	FORK.CHANGE CMP	1							N
(A=F510001)											
23	1	1A1402-20880	PIN 12X120	1							
24	1	1E6150-56040	SPRING	1							
25	1	22351-040020	SPRING PIN 4X20	1							
26	1	24190-100001	BALL 5/16, STEEL	1							
27	1	1A1104-28230	OIL SEAL 12184	2							
28	1	24341-000160	O-RING 1A S-16.0	2							
29	1	1A1104-28210	OIL SEAL TC17328	1							
I 30	1	22242-000170	CIRCLIP 17	1							
I 31-1	1	24104-060034	BALL BEARING	1							N
(A=F410001)											

Fig.11. HANDLE

11. HANDLE



NO20152

OCNP1-G59400 11. HANDLE

(A)=YK280F

(B)=

(C)=

(D)=

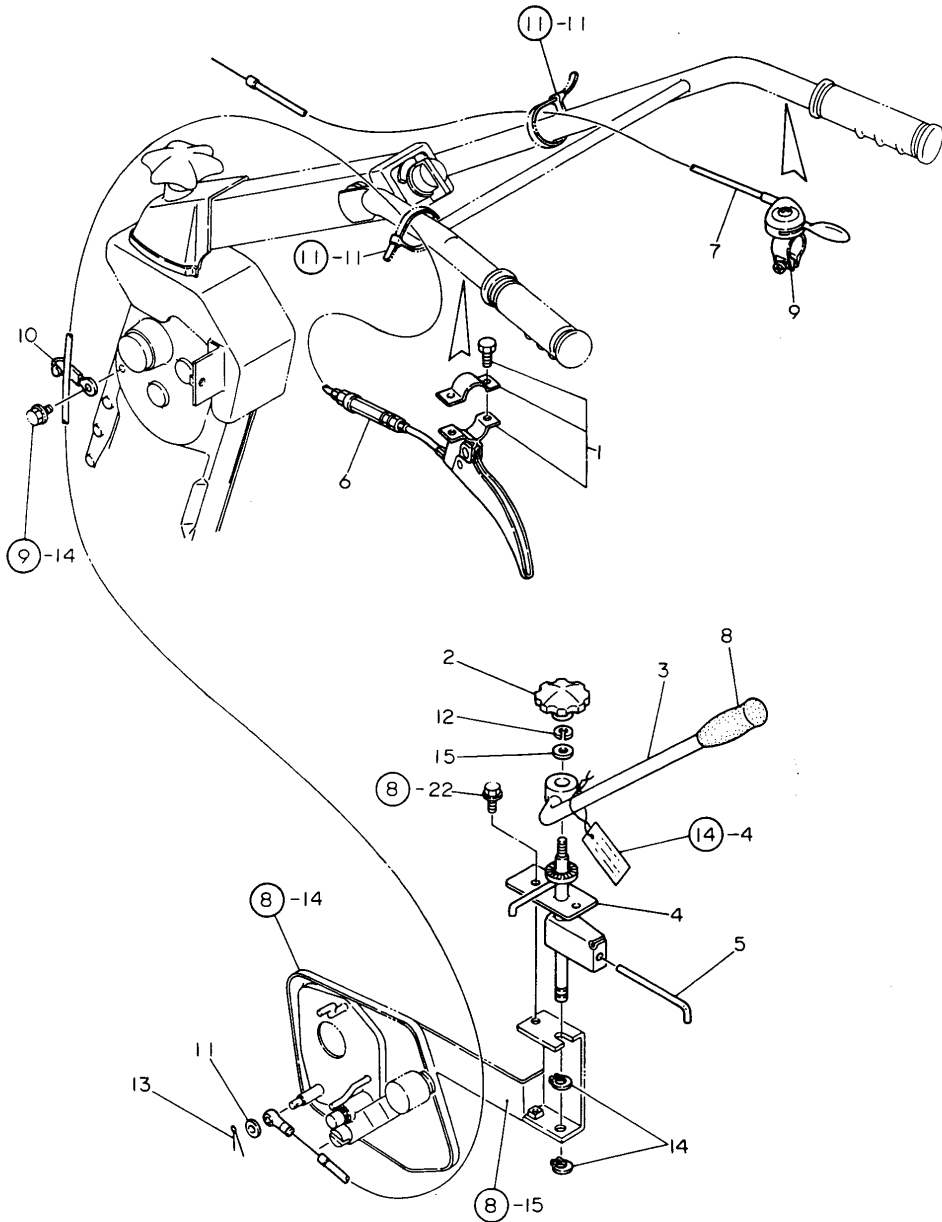
(E)=

(F)=

REF.	LEV.	PARTS NO.	DESCRIPTION	QTY						I	R
				(A)	(B)	(C)	(D)	(E)	(F)		
I	1-1	1 1A1402-40001 (A=F510001)	STAND COMPL.,HANDLE	1							N
	2	1 1A1402-40100	FRAME COMPL.,HANDLE	1							
	3	1 1A1104-52001	BOLT	1							
	4	1 1A1104-53200	WASHER	1							
	5	1 26106-081002	BOLT M 8X100 PLATED	1							
	6	1 26137-100162	BOLT M10X 16,PLATED	2							
	7	1 26367-080002	U-NUT M 8	1							
	8	1 1A1401-51400	HANDLE PIPE	1							
	9	1 1A1400-51770	BOLT,KNOB	1							
	10	1 192040-56220	GRIP,HANDLE	2							
	11	1 1E6102-84970	BAND 140,WIRE LOCK	2							
	12	1 22137-100000	WASHER 10,POLISHED	1							
	13	1 22217-100000	SPRING WASHER 10	1							
	14	1 26117-101202	BOLT M10X120 PLATED	1							
I	14-2	1 26207-101102 (A=F510001)	BOLT M10X110 PLATED	1							N
	15	1 1A1630-40250	COVER,FRAME	1							
	16	1 1A1400-51660	COVER	1							
	17	1 1A1400-56130	SCREW 5X10 TAPPING	3							
	18	1 22137-050000	WASHER 5, POLISHED	2							
	19	1 1A1490-40850	CORD,STOP SWITCH	1							
	20	1 1A1470-40900	SWITCH,STOP	1							
	21	1 22217-080000	SPRING WASHER 8	1							
	22	1 26757-080002	LOCK NUT M 8 PLATED	1							
I	23	1 22217-140000 (A=F410001)	SPRING WASHER 14	1							W

Fig.12. TRAVELING CONTROL LEVER

12. TRAVELING CONTROL LEVER



0CNP1-G59400 12. TRAVELING CONTROL LEVER

(A)=YK280F

(B)=

(C)=

(D)=

(E)=

(F)=

REF.	LEV.	PARTS NO.	DESCRIPTION	QTY						I	R	
				(A)	(B)	(C)	(D)	(E)	(F)			
1	1	1A1310-17000	LEVER,MAIN CLUTCH	1								
I 2-1	1	1A1402-50170	NUT 8	1								R
		(A=F411252)										
3	1	1A1402-50000	LEVER COMPL.,CHANGE	1								
4	1	1A1402-50050	SHAFT A COMPL.,CHG.	1								
5	1	1A1402-50130	PIN 6X95	1								
6	1	1A1105-54232	CABLE,SIDE CLUTCH	1								
7	1	1A1401-54400	CABLE,THROTTLE	1								
8	1	1A1102-57100	GRIP,MN.CLUTCH LEVER	1								
I 9-1	1	1A1402-40750	LEVER,THROTTLE	1								R
		(A=F411252)										
10	1	160820-78710	CLAMP, CORD	1								
I 10-1	1	1D2050-25380	HOSE BAND 15	1								N
		(A=F410001)										
11	1	22137-060000	WASHER 6, POLISHED	1								
12	1	22217-080000	SPRING WASHER 8	1								
13	1	22417-200120	COTTER PIN 2.0X12	1								
14	1	22242-000120	CIRCLIP 12	2								
15	1	22137-080000	WASHER 8, POLISHED	1								
I 16	1	1A1402-50300	TUBE 12, COILED	1								W
		(A=F410001)										

Fig.13. BONNET

13. BONNET

(A)=YK280F

(B)=

(C)=

(D)=

(E)=

(F)=

REF.	LEV.	PARTS NO.	DESCRIPTION	QTY						I	R
				(A)	(B)	(C)	(D)	(E)	(F)		
1	1	1H6020-60170	BUSH,RUBBER	2							
2	1	1A1107-62100	BONNET	1							
3	1	1A1107-62200	STAY,BONNET	1							
4	1	1A1107-62210	RETAINER,BONNET	1							
5	1	1A1108-66400	BOLT,KNOB 8X15	1							
6	1	1A1108-66410	PACKING	1							
7	1	26367-080002	U-NUT M 8	4							

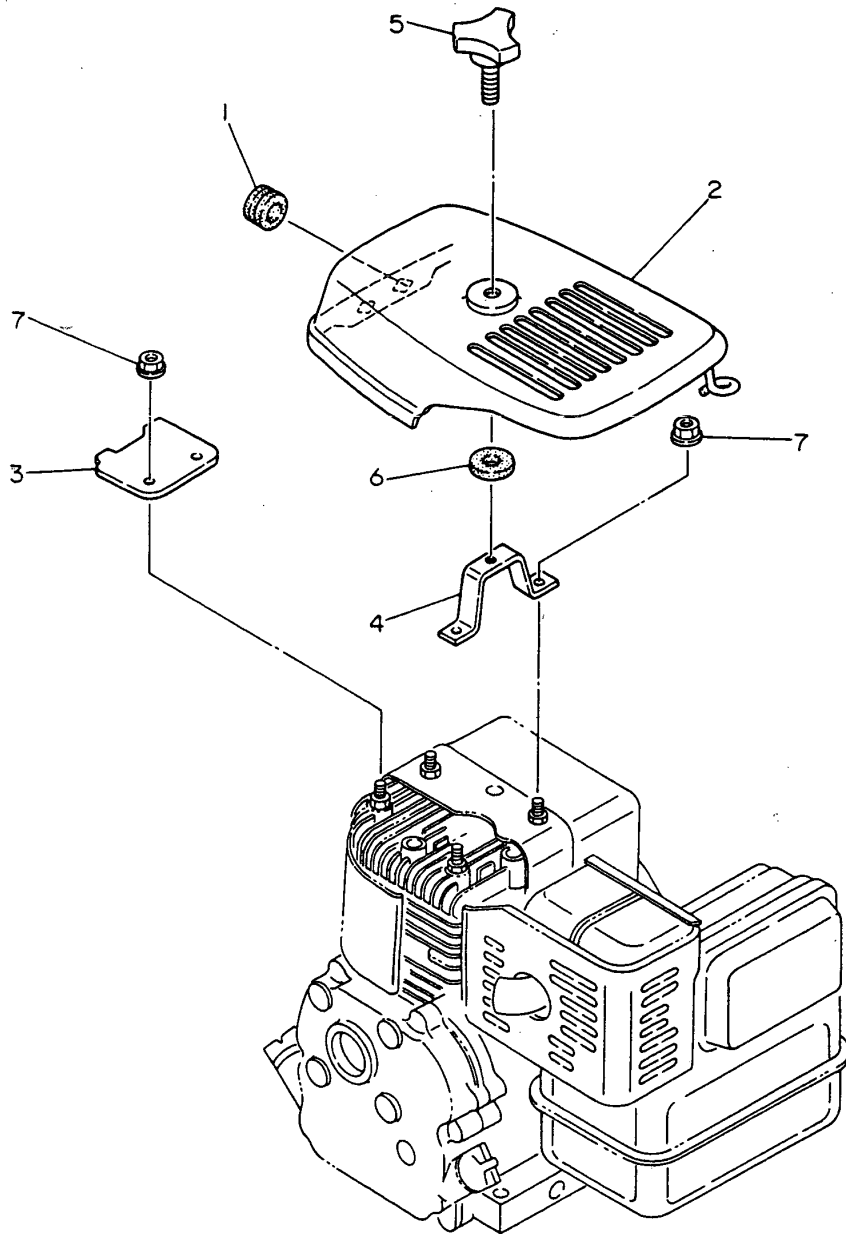
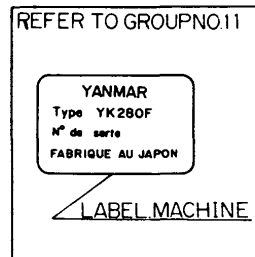
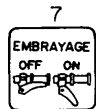
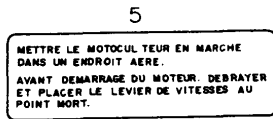
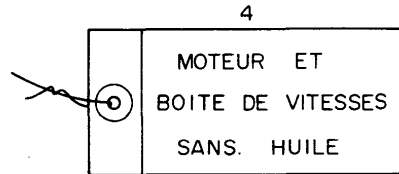
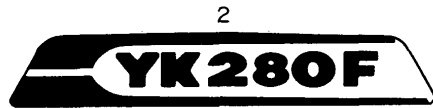


Fig.14. LABELS

14. LABELS



0CNP1-G59400 14. LABELS

(A)=YK280F

(B)=

(C)=

(D)=

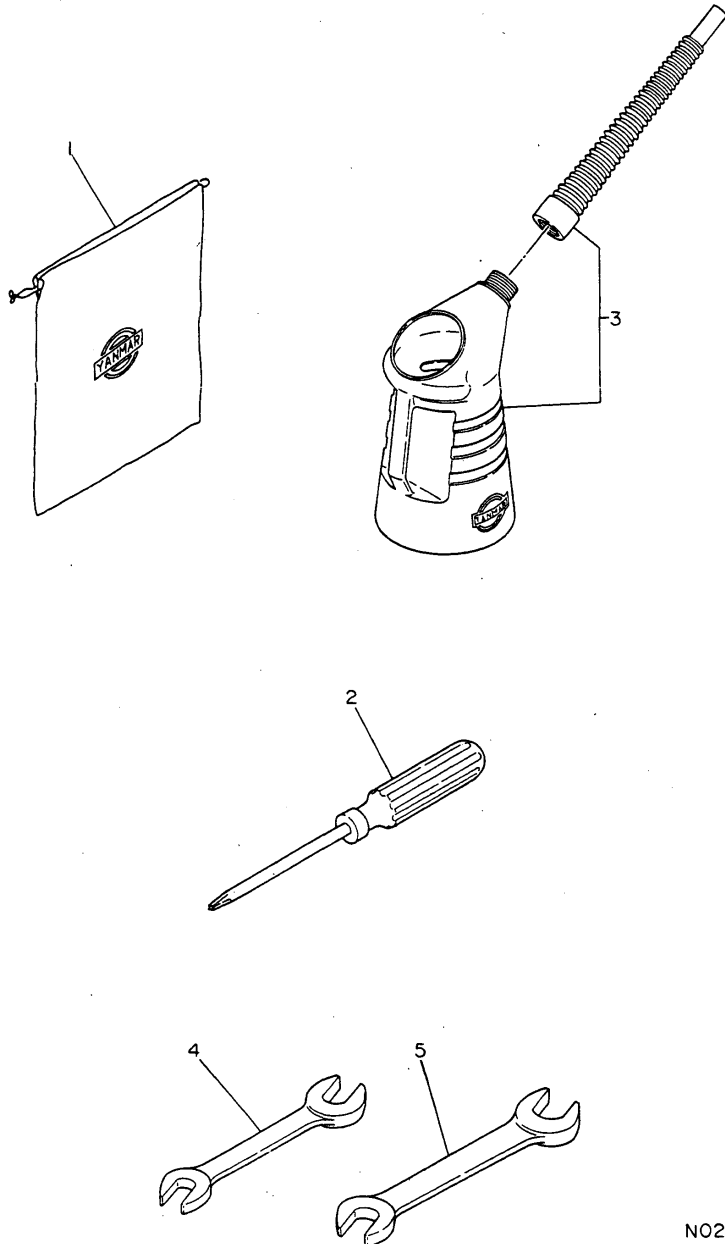
(E)=

(F)=

REF.	LEV.	PARTS NO.	DESCRIPTION	QTY						I	R
				(A)	(B)	(C)	(D)	(E)	(F)		
1	1	1A1470-80000	MARK,BELT COVER	1							
2	1	1A1402-80020	PLATE,ORNAMENTAL	1							
3	1	1A1402-80100	LABEL,CHANGE	1							
4	1	1A1107-88070	LABEL,OIL CAUTION	1							
5	1	1A1107-88130	LABEL	1							
6	1	1A1107-88650	LABEL	1							
7	1	1A1540-88880	LABEL	1							
I	8	1A1750-83221 (A=F410001)	LABEL,TRANSM.OIL	1							W
I	8-1	1A1750-83360 (A=87.02.09)	LABEL,TRANSM.OIL	1							N

Fig.15. ACCESSORIES

15. ACCESSORIES



0CNP1-G59400 15. ACCESSORIES

(A)=YK280F
(B)=
(C)=

(D)=
(E)=
(F)=

REF.	LEV.	PARTS NO.	DESCRIPTION	Q'TY						I	R	
				(A)	(B)	(C)	(D)	(E)	(F)			
I	1-1	1 1A1402-80700 (A=F410001)	TOOL BAG	1							N	
I	2-1	1 1D2040-87060 (A=F410001)	SCREWDRIVER,COMBINAT	1							N	
I	3	1 7E4133-99290 (A=F410001)	JUG ASSY, OIL	1							Z	
	4	1 28110-100130	WRENCH 10X13	1								
	5	1 28110-120140	WRENCH 12X14	1								
I	6	1 1A1102-83110 (A=F410001)	VINYL TUBE	1							W	
I	7	1 1A1105-83000 (A=F410001)	FUNNEL	1							W	

N020156

Part Number Index

All parts are stipulated in the order of part numbers.

(Depending on the area in which the part is used.)

This index will display the location of the part according to each part number.

PARTS No. INDEX

PARTS No.	Fig.	Ref.No.
160820-78710	12	10
192040-56220	11	10
194310-24980	9	12 -1
1A1102-57100	12	8
1A1102-83110	15	6
1A1104-28210	10	29
1A1104-28230	10	27
1A1104-52001	11	3
1A1104-53200	11	4
1A1105-21300	9	6
1A1105-54232	12	6
1A1105-63201	8	26
		26 -1
1A1105-66401	8	25
		25 -1
1A1105-83000	15	7
1A1107-62100	13	2
1A1107-62200	13	3
1A1107-62210	13	4
1A1107-88070	14	4
1A1107-88130	14	5
1A1107-88650	14	6
1A1108-66400	8	18
	13	5
1A1108-66410	8	19
	13	6
1A1310-17000	12	1
1A1310-21200	10	18
1A1400-16000	8	10
1A1400-16800	8	4
1A1400-28000	9	7
1A1400-28140	10	3
1A1400-51660	11	16
1A1400-51770	11	9
1A1400-56130	11	17
1A1401-51400	11	8
1A1401-54400	12	7
1A1402-10100	8	7
1A1402-10120	8	8
1A1402-10600	8	13
1A1402-10650	8	14
1A1402-10751	8	15 -1
1A1402-10790	8	16
1A1402-20000	9	1
1A1402-20010	9	2
1A1402-20100	9	4
1A1402-20110	9	5
1A1402-20150	9	23 -1
1A1402-20200	10	1
1A1402-20210	10	2

PARTS No.	Fig.	Ref.No.
1A1402-20300	10	6
1A1402-20400	10	8
1A1402-20430	10	9
1A1402-20440	10	10
1A1402-20450	10	11
1A1402-20460	10	12
1A1402-20481	10	13 -1
1A1402-20501	10	16 -1
1A1402-20800	10	21
1A1402-20851	10	22 -1
1A1402-20880	10	23
1A1402-40001	11	1 -1
1A1402-40100	11	2
1A1402-40750	12	9 -1
1A1402-50000	12	3
1A1402-50050	12	4
1A1402-50130	12	5
1A1402-50170	12	2 -1
1A1402-50210	8	17
1A1402-50300	12	16
1A1402-60000	7	9
1A1402-60010	7	10
1A1402-60050	7	11
1A1402-60301	7	17 -1
1A1402-60360	7	12
1A1402-60400	7	22 -2
1A1402-60450	7	23
1A1402-60500	7	6
1A1402-80020	14	2
1A1402-80100	14	3
1A1402-80700	15	1 -1
1A1470-20090	9	3
1A1470-20530	10	17
1A1470-40900	11	20
1A1470-80000	14	1
1A1490-40850	11	19
1A1540-11000	8	3
1A1540-14000	8	9
1A1540-88880	14	7
1A1630-40250	11	15
1A1640-62401	8	1
1A1750-83221	14	8
1A1750-83360	14	8 -1
1C6020-73090	8	5
1D1140-11420	7	1
	8	31
1D2040-87060	15	2 -1
1D2050-25380	12	10 -1
1E6102-84970	11	11
1E6150-56040	10	24

PARTS No.	Fig.	Ref.No.
1H6020-60170	13	1
1Z0011-06250	4	7
1Z0011-08160	5	55
1Z0011-10140	1	16
1Z0070-71000	5	46
1Z1100-92432	1	17
1Z1509-61170	5	25
1Z2100-82105	6	3
1Z2117-12117	6	2
1Z2356-61321	5	33
1Z2801-61680	5	26
1Z3252-23830	1	24
1Z3650-23710	3	8
1Z3650-52320	4	11
1Z4250-42310	1	23
	3	16
1Z4400-21110	2	1
1Z4401-11110	1	1
1Z4401-11211	1	2
1Z4401-12320	1	12
1Z4401-13120	5	11
1Z4401-13130	5	12
1Z4401-13210	5	13
1Z4401-13320	5	36
1Z4401-13410	5	47
1Z4401-16320	1	5
1Z4401-21120	2	2
1Z4401-21130	2	3
1Z4401-21160	2	4
1Z4401-22110	2	5
1Z4401-23112	2	6
1Z4401-30100	3	2
1Z4401-31110	3	1
1Z4401-31210	3	3
1Z4401-31220	3	4
1Z4401-32400	3	5
1Z4401-32450	3	6
1Z4401-32480	3	12
1Z4401-32490	3	13
1Z4401-34300	6	22
1Z4401-34320	6	23
1Z4401-34410	6	29
1Z4401-34440	6	28
1Z4401-34450	6	27
1Z4401-34460	6	26
1Z4401-34470	6	24
1Z4401-34490	6	25
1Z4401-34520	6	30
1Z4401-34600	6	32
1Z4401-34820	6	35

PARTS No.	Fig.	Ref.No.
1Z4401-41240	1	19
1Z4401-42110	3	9
		11
1Z4401-51100	4	1
1Z4401-51211	4	2
1Z4401-51221	4	4
1Z4401-51350	4	3
1Z4401-52110	4	6
1Z4401-52310	4	10
1Z4401-53111	4	12
1Z4401-53140	4	20
1Z4401-53210	4	18
1Z4401-53350	4	13
1Z4401-53372	4	14
1Z4401-53830	4	15
1Z4401-53850	4	16
1Z4401-53880	4	17
1Z4401-61003	5	16
1Z4401-61020	5	30
1Z4401-61140	5	17
1Z4401-61150	5	24
1Z4401-61160	5	18
1Z4401-61310	5	35
1Z4401-61420	5	28
1Z4401-61440	5	29
1Z4401-61640	5	21
1Z4401-61670	5	22
1Z4401-61700	5	34
1Z4401-61810	5	38
1Z4401-61840	5	39
1Z4401-66434	5	50
1Z4401-66440	5	51
1Z4401-66810	5	56
1Z4401-67320	5	52
1Z4401-74110	1	20
1Z4401-81110	6	1
1Z4401-81290	6	7
1Z4401-81420	6	6
1Z4401-81610	6	8
1Z4401-81641	6	12
1Z4401-81720	3	14
1Z4401-84100	6	13
1Z4401-84140	3	15
1Z4401-84360	6	5
1Z4405-11810	1	9
1Z4405-16112	6	16
1Z4405-16310	1	8
1Z4405-32111	3	7
1Z4405-32721	3	10
1Z4405-55130	5	43

MODEL : YK280F((
PC NO : 0CNP1-G59400

PARTS No. INDEX

PARTS No.	Fig.	Ref.No.
1Z4406-09310	5	59
1Z4406-53170	4	23
1Z4412-34530	6	31
1Z4412-65250	5	54
1Z4413-13111	5	10
1Z4413-13160	5	37
1Z4413-13510	5	42
1Z4414-08130	1	7
1Z4414-08260	5	15
1Z4414-08270	5	14
1Z4419-61740	5	31
1Z4437-14100	5	1
1Z4437-14310	5	4
1Z4437-14320	5	3
1Z4440-66100	5	48
1Z4496-14421	5	2
1Z4496-16270	6	20
1Z4496-41201	1	18
1Z4594-08141	6	18
1Z4910-82070	1	11
1Z4912-06004	1	3
1Z5120-09450	5	60
1Z543H-08170	6	21
1Z5446-08110	6	19
1Z5479-08220	5	57
1Z5479-08510	5	58
1Z5501-61391	5	27
1Z5501-61600	5	19
1Z5501-61710	5	20
1Z5501-84400	6	4
1Z5515-66400	5	49
1Z7196-55150	5	44
1Z7270-84181	6	14
1Z7270-84190	6	15
1Z8290-74470	5	53
1Z9201-52120	4	21
7E4133-99290	15	3

PARTS No.	Fig.	Ref.No.
-----------	------	---------

PARTS No.	Fig.	Ref.No.
-----------	------	---------

PARTS No.	Fig.	Ref.No.
-----------	------	---------



YANMAR CO.,LTD.